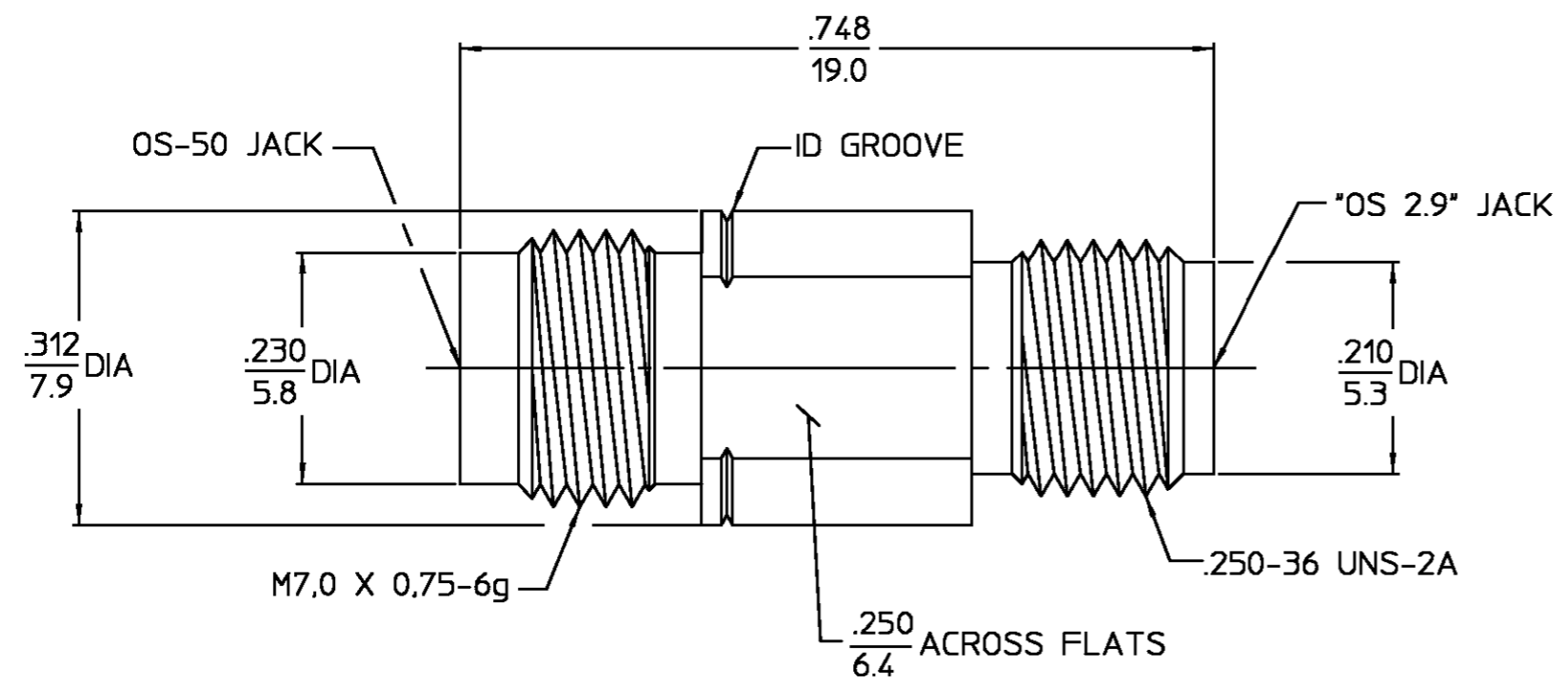


| REVISIONS | | | |
|-----------------|-------------|----------|-------------|
| REV | DESCRIPTION | DATE | APPROVED |
| 01 ₁ | REVISED | 10/19/95 | ICpm 4/5/96 |



| | | |
|----------------|--------------------------------------------------------------------------|----------------------------|
| HOUSING | STAINLESS STEEL PER ASTM-A484 AND ASTM-A582, TYPE 303 | PASSIVATE PER QQ-P-35 |
| DIELECTRIC | TFE FLUOROCARBON PER ASTM-D-1457 | N/A |
| CENTER CONTACT | BERYLLIUM COPPER PER ASTM-B-196 OR ASTM-B-197, ALLOY C17300, CONDITION H | GOLD PLATE PER MIL-G-45204 |

| COMPONENT | MATERIAL | FINISH |
|-----------|----------|--------|
|-----------|----------|--------|

| | | |
|-------------------------------------------------------------------------------------------------------------|--------------------------|-----------------------------------------------------------------|
| UNLESS OTHERWISE SPECIFIED DIMENSIONS ARE IN INCHES TOLERANCE ON FRAC. DEC. ANGLES ± 1/64 ± .005 ± 1° | DRAWN BY RMF DATE 2/2/95 | AMP Incorporated 140 Fourth Avenue Waltham, MA 02451-7599 |
| | CHECKED BY | |
| | APP'D BY RMF DATE 2/2/95 | |

| | | | |
|------------------------------------------------------------------------------------------------------------------------------------------------------------------------------------------------------------------------------|--------------------|--------------------------------------|---------------------|
| These drawings and specifications are the property of M/A-COM incorporated and shall not be reproduced or copied or used in whole or in part as the basis for the manufacture or sale of item(s) without written permission. | USE ASSY PROCEDURE | TITLE OS-50 JACK TO "OS 2.9" JACK | |
| | NO. AP. N/A | SIZE B | REV 01 ₁ |
| | | CODE IDENT NO. 26805 | 1250-2187-02 |

NOTES:
1. CAPTURED CENTER CONTACT

.XXX = in
XX.X = mm

DESIGN CONTROL REQUIRED

CUSTOMER DRAWING

AMP PART # 1046295-1
SHEET 1 OF 1 REV A

SCALE 6:1 SHEET 1 OF 1